

A

| | |
|--------------------------------|-----------|
| Adapter ASA F 80 | 2 |
| Adapter za profil SA F 100 | 10 |
| Adapter za profil SA F 80 | 3 |
| Adapter za profil STA F 80/30E | 2 |
| Adapterska plošča AP | 9, 14, 18 |

D

| | |
|--------------------------|----|
| Drni set LU - H 40 | 24 |
| Drnsni set FS | 24 |
| Drnsni set FW F | 23 |
| Drnsnik GS F 80 1G | 5 |
| Drnsnik GS F 80 2G | 5 |
| Držalo profila TPH F 100 | 11 |
| Držalo profila TPH F 80 | 4 |
| Držalo SHB F 80 | 3 |
| Držalo STA F 100 | 8 |
| Držalo STA F 80 | 2 |

F

| | |
|-----------------------------|--------|
| Fazonski spojnik FV 100/120 | 14, 18 |
| Fiksni set XS | 24 |
| Fiksni set XW F | 23 |
| Fisna točka XR - H 40 | 25 |

K

| | |
|---------------------------|----|
| Kapica ADK 100 | 15 |
| Kapica ADK 120 | 19 |
| Kapica ADK F 100 | 11 |
| Kapica ADK F 80 | 4 |
| Kavelj vpanjalni set FS Z | 24 |
| Konzola AK F 100 | 7 |
| Konzola AK F 80 | 1 |
| Konzola AK F 80/30 | 1 |
| Konzola TKO F 100 | 7 |
| Konzola TKO F 100/160 | 7 |
| Konzola TKO F 80 | 1 |
| kotno držalo WD F 100 | 9 |

M

| | |
|-------------------------|---|
| Montaži profil TP F 100 | 7 |
| Montažni profil TP F 80 | 1 |

N

| | |
|-------------------------|----|
| Nosilna konzola TKO 100 | 13 |
| Nosilna konzola TKO 120 | 17 |

O

| | |
|-----------------------------|----|
| Objemka Simotec LA - HV | 21 |
| Objemka Simotec LC - HV | 22 |
| Objemka Simotec LD - HV | 23 |
| Objemka Simotec LK - HV 150 | 23 |
| Objemka Stabil I-1/2" HCP | 25 |
| Osnovna pl. GPL F 80 Stabil | 5 |
| Osnovna plošča GPL F 80 | 5 |

P

| | |
|---------------------------|----|
| Poševna konzola SKO 100 | 13 |
| Poševna konzola SKO F 100 | 8 |
| Prečna konzola QKO 100 | 13 |
| Prečna konzola QKO 120 | 17 |
| Profilna guma SAL EPDM sk | 25 |

S

| | |
|---------------------------|---------------|
| Samorezni vijak FLS F | 3, 10 |
| Set montažni PS | 4, 10, 15, 18 |
| Streme vpenjalno SB F 100 | 10 |
| Streme vpenjalno SB F 80 | 4 |

T

| | |
|------------------------------|----|
| T-adapter TA 100 | 14 |
| T-adapter TA 120 | 17 |
| Trak iz steklenih vlaken GSK | 25 |

U

| | |
|-------------------------|---|
| U-UB Drsna podloga F 80 | 6 |
| UB-pritrditev F 80 | 6 |

V

| | |
|------------------------------|----|
| Varilno držalo ASA F 100 GPL | 9 |
| Varilno držalo ASA F 80 GPL | 3 |
| Vodilno ležišče FR - H 40 | 25 |

W

| | |
|----------------------|---|
| WBD-Držalo F 100 | 8 |
| WBD-Držalo F 100/160 | 8 |
| WBD-Držalo F 80 | 2 |

Č

Čelni adapter STA 100

14

Čelni adapter STA 120

17

1 Framo 80

| | |
|--------------------------------|---|
| Montažni profil TP F 80 | 1 |
| Konzola AK F 80/30 | 1 |
| Konzola AK F 80 | 1 |
| Konzola TKO F 80 | 1 |
| Adapter za profil STA F 80/30E | 2 |
| Držalo STA F 80 | 2 |
| WBD-Držalo F 80 | 2 |
| Adapter ASA F 80 | 2 |
| Držalo SHB F 80 | 3 |
| Varilno držalo ASA F 80 GPL | 3 |
| Adapter za profil SA F 80 | 3 |
| Samorezni vijak FLS F | 3 |
| Set montažni PS | 4 |
| Streme vpenjalno SB F 80 | 4 |
| Držalo profila TPH F 80 | 4 |
| Kapica ADK F 80 | 4 |
| Drsnik GS F 80 2G | 5 |
| Drsnik GS F 80 1G | 5 |
| Osnovna plošča GPL F 80 | 5 |
| Osnovna pl. GPL F 80 Stabil | 5 |
| UB-pritrđitev F 80 | 6 |
| U-UB Drsna podloga F 80 | 6 |

2 Framo 100

| | |
|------------------------------|----|
| Montažni profil TP F 100 | 7 |
| Konzola AK F 100 | 7 |
| Konzola TKO F 100 | 7 |
| Konzola TKO F 100/160 | 7 |
| Poševna konzola SKO F 100 | 8 |
| Držalo STA F 100 | 8 |
| WBD-Držalo F 100 | 8 |
| WBD-Držalo F 100/160 | 8 |
| Adapterska plošča AP | 9 |
| Varilno držalo ASA F 100 GPL | 9 |
| Varilno držalo ASA F 100 GPL | 9 |
| kotno držalo WD F 100 | 9 |
| Adapter za profil SA F 100 | 10 |
| Samorezni vijak FLS F | 10 |
| Set montažni PS | 10 |

| | | |
|----------|---------------------------|----|
| 1 | Streme vpenjalno SB F 100 | 10 |
| 1 | Držalo profila TPH F 100 | 11 |
| 1 | Kapica ADK F 100 | 11 |

3 Nosilni sistem 100 13

| | |
|-----------------------------|----|
| Nosilna konzola TKO 100 | 13 |
| Prečna konzola QKO 100 | 13 |
| Poševna konzola SKO 100 | 13 |
| Čelni adapter STA 100 | 14 |
| T-adapter TA 100 | 14 |
| Adapterska plošča AP | 14 |
| Fazonski spojnik FV 100/120 | 14 |
| Set montažni PS | 15 |
| Kapica ADK 100 | 15 |

4 Trägersystem 120 17

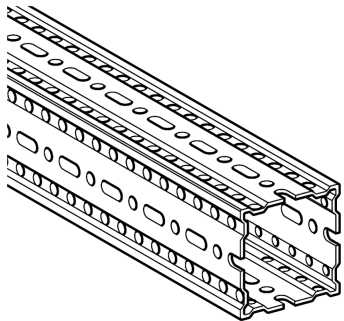
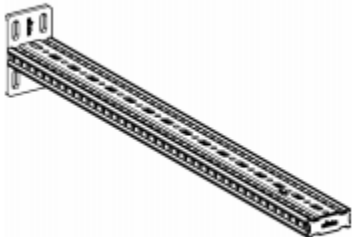
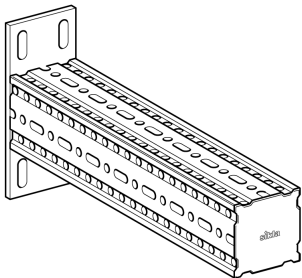
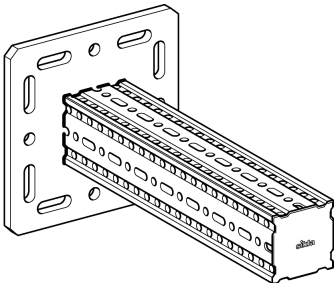
| | |
|-----------------------------|----|
| Nosilna konzola TKO 120 | 17 |
| Prečna konzola QKO 120 | 17 |
| Čelni adapter STA 120 | 17 |
| T-adapter TA 120 | 17 |
| Adapterska plošča AP | 18 |
| Fazonski spojnik FV 100/120 | 18 |
| Set montažni PS | 18 |
| Kapica ADK 120 | 19 |

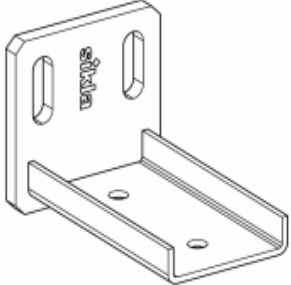
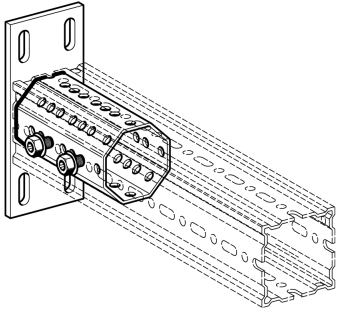
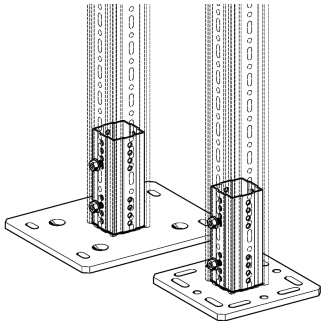
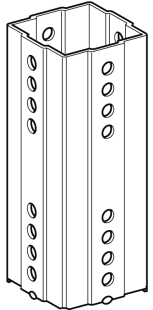
5 Cevna ležišča 21

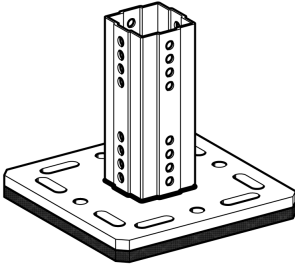
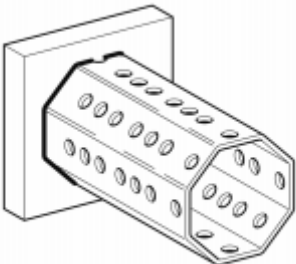
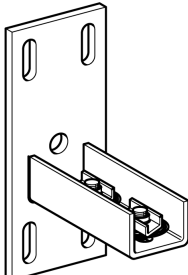
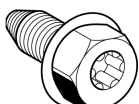
| | |
|------------------------------|----|
| Objemka Simotec LA - HV | 21 |
| Objemka Simotec LC - HV | 22 |
| Objemka Simotec LD - HV | 23 |
| Objemka Simotec LK - HV 150 | 23 |
| Drnsni set FW F | 23 |
| Fiksni set XW F | 23 |
| Drnsni set FS | 24 |
| Fiksni set XS | 24 |
| Kavelj vpanjalni set FS Z | 24 |
| Drni set LU - H 40 | 24 |
| Vodilno ležišče FR - H 40 | 25 |
| Fisna točka XR - H 40 | 25 |
| Objemka Stabil I-1/2" HCP | 25 |
| Trak iz steklenih vlaken GSK | 25 |
| Profilna guma SAL EPDM sk | 25 |

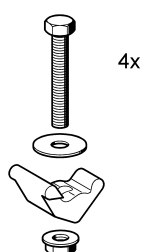
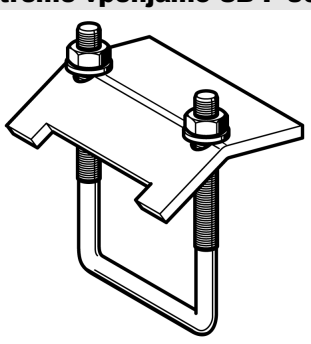
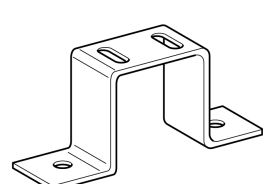

Produkti A - Z

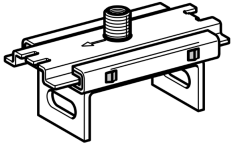
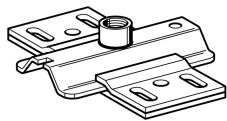

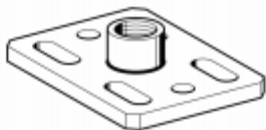
sikla

| Stran | Produkt | Artikel | Pakirano | Artikel-št. |
|-------|---|----------------------|----------|-------------|
| 1-2 | Montažni profil TP F 80  | Skupina: A410 | | |
| | | TP F 80 | 6 | 192539 |
| | | TP F 80/30 | 6 | 113407 |
| 1-3 | Konzola AK F 80/30  | Skupina: A420 | | |
| | | AK F 80/30-400 | 1 | 113064 |
| | | AK F 80/30-800 | 1 | 113065 |
| | | AK F 80/30-E-400 | 1 | 113625 |
| | | AK F 80/30-E-800 | 1 | 113626 |
| 1-3 | Konzola AK F 80  | Skupina: A420 | | |
| | | AK F 80-400 | 1 | 192764 |
| | | AK F 80-800 | 1 | 192771 |
| | | AK F 80-E-600 | 1 | 110370 |
| 1-4 | Konzola TKO F 80  | Skupina: A423 | | |
| | | TKO F 80-400 | 1 | 192788 |
| | | TKO F 80-800 | 1 | 192795 |

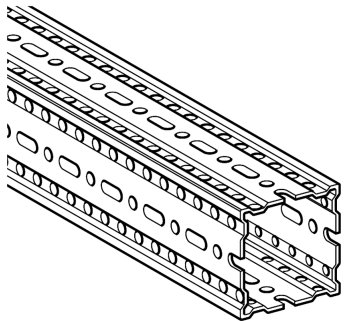
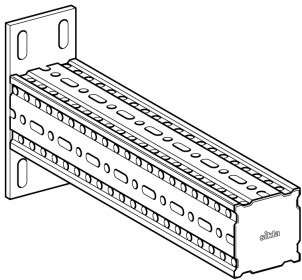
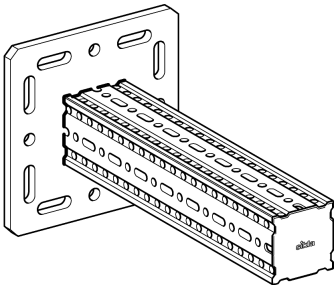
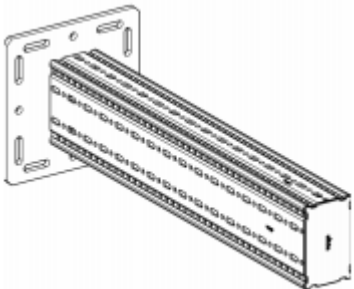
| Stran | Produkt | Artikel | Pakirano | Artikel-št. |
|-------|---|---------------------------|----------|-------------|
| | Adapter za profil STA F 80/30E | Skupina: A422 | | |
| |  | STA F 80/30-E | 1 | 113066 |
| 1-5 | Držalo STA F 80 | Skupina: A422 | | |
| |  | STA F 80 (T – 4 luknje) | 1 | 192856 |
| | | STA F 80-E (L – 4 luknje) | 1 | 192863 |
| | | STA F 80-A (T – 2 luknji) | 1 | 192870 |
| | | STA F 80-E 45° | 1 | 406001 |
| 1-6 | WBD-Držalo F 80 | Skupina: A421 | | |
| |  | WBD F 80-80/120 | 1 | 192801 |
| | | WBD F 80-121/160 | 1 | 192818 |
| | | WBD F 80-161/200 | 1 | 192825 |
| | | WBD F 80-201/300 | 1 | 192832 |
| | | WBD F 80-T | 1 | 192849 |
| | | WBD F 80 100-120/220-300 | 1 | 436743 |
| 1-7 | Adapter ASA F 80 | Skupina: A430 | | |
| |  | ASA F 80 | 1 | 110020 |
| | | ASA F 80 GPL (8 kotno) | 1 | 112212 |

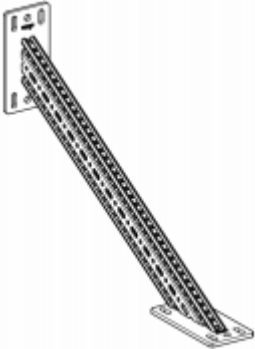
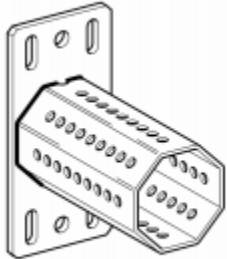
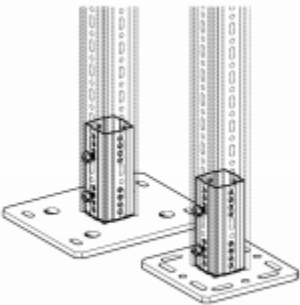
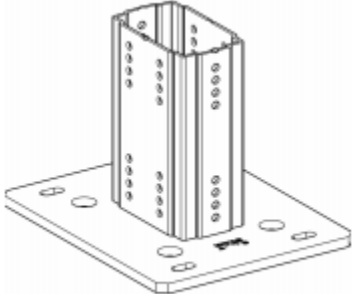
| Stran | Produkt | Artikel | Pakirano | Artikel-št. |
|-------|---|----------------------|----------|-------------|
| | Držalo SHB F 80 | Skupina: A421 | | |
| |  | SHB F 80-220 | 5 | 198926 |
| | | SHB F 80-300 | 5 | 113121 |
| | | SHB F 80-450 | 1 | 113122 |
| | | SHB F 80-600 | 1 | 113123 |
| | Varilno držalo ASA F 80 GPL | Skupina: A428 | | |
| |  | ASA F 80 GPL 8kt | 1 | 112212 |
| | | | | |
| 1-8 | Adapter za profil SA F 80 | Skupina: A430 | | |
| |  | SA F 80-41 | 1 | 192887 |
| | | | | |
| 1-9 | Samorezni vijak FLS F | Skupina: A430 | | |
| |  | FLS F | 100 | 192512 |
| | | | | |

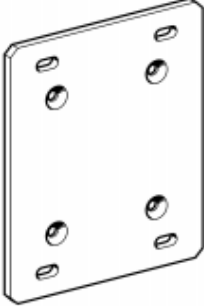
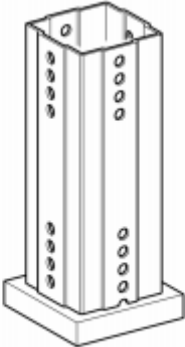
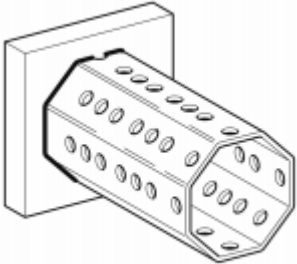
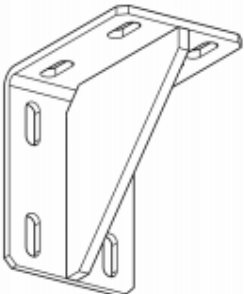
| Stran | Produkt | Artikel | Pakirano | Artikel-št. |
|-------|---|---|----------------------------|---|
| 1-10 | <p>Set montažni PS</p>  | <p>Skupina: A640</p> <p>Set P2 S</p> <p>Set P3 S</p> <p>Set P2/2 S</p> | <p>1</p> <p>1</p> <p>1</p> | <p>168494</p> <p>179147</p> <p>183800</p> |
| 1-11 | <p>Streme vpenjalno SB F 80</p>  | <p>Skupina: A430</p> <p>SB F 80-16</p> <p>SB F 80-40</p> | <p>20</p> <p>10</p> | <p>192683</p> <p>194010</p> |
| 1-12 | <p>Držalo profila TPH F 80</p>  | <p>Skupina: A430</p> <p>TPH F 80</p> <p>TPH F 80 C</p> | <p>10</p> <p>10</p> | <p>195765</p> <p>111732</p> |
| 1-13 | <p>Kapica ADK F 80</p>  | <p>Skupina: A430</p> <p>ADK F 80</p> | <p>25</p> | <p>192674</p> |

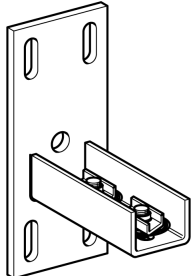
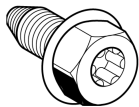

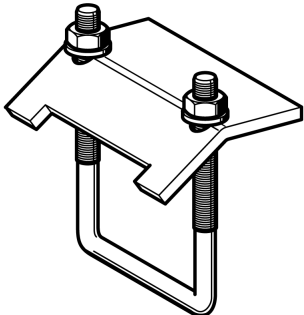
| Stran | Produkt | Artikel | Pakirano | Artikel-št. |
|---|------------------------------------|--|----------|-------------|
| 1-14 | Drsnik GS F 80 2G | Skupina: A436 | | |
| | | GS F 80 2G | 10 | 196700 |
| | | GS F 80 2G2 | 10 | 196717 |
|  | | | | |
| 1-15 | Drsnik GS F 80 1G | Skupina: A436 | | |
| | | GS F 80 1G | 10 | 192924 |
| | | GS F 80 1G2 | 10 | 192917 |
|  | | | | |
| 1-16 | Osnovna plošča GPL F 80 | Skupina: A430 | | |
| | | GPL F 80- ¹ / ₂ " | 50 | 192900 |
| | | GPL F 80-M16 | 50 | 195833 |
| | | GPL F 80-M10 | 50 | 113004 |
|  | | | | |
| 1-16 | Osnovna pl. GPL F 80 Stabil | Skupina: A430 | | |
| | | GPL F 80 ST- ¹ / ₂ " | 25 | 112719 |
|  | | | | |

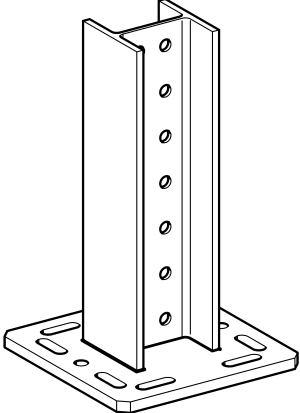
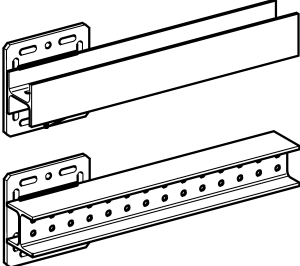
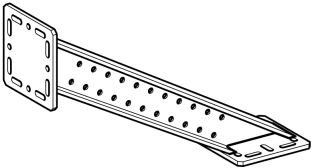
| Stran | Produkt | Artikel | Pakirano | Artikel-št. |
|-------|----------------------------------|--|----------|-------------|
| 1-17 | UB-pritrđitev F 80 | Skupina: A430 | | |
| | | UB F 80- $\frac{1}{2}$ " - 1 $\frac{1}{2}$ " | 25 | 192931 |
| | | UB F 80-2" - 3" | 10 | 196212 |
| | | UB F 80-4" - 6" | 2 Sets | 113124 |
| | | UB F 80-8" - 12" | 2 Sets | 113125 |
| | | UB F 80-378 - 530 | 2 Sets | 113126 |
| 1-18 | U-UB Drсна podloga F 80 | Skupina: A430 | | |
| | | U-UB F 80 | 50 | 198797 |
| | Adapter PK F 80 HCP | | | |
| | | PK F 80 4kt - 360 | 1 | 111445 |
| | | PK F 80 8kt - 280 | 1 | 111446 |
| | WBD gibljivi JOI F 80 HCP | | | |
| | | JOI F 80 | 1 | 111448 |

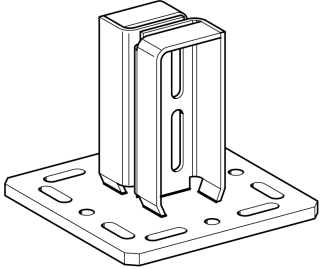
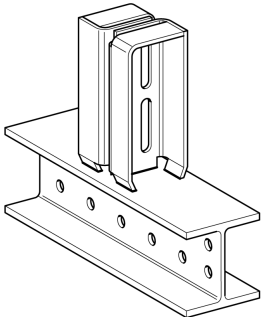
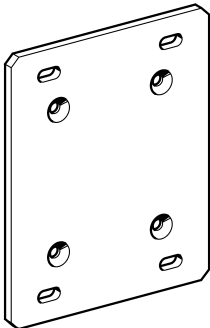
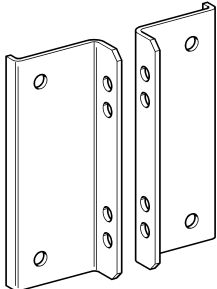
| Stran | Produkt | Artikel | Pakirano | Artikel-št. |
|-------|---|----------------------|----------|-------------|
| | Montaži profil TP F 100 | Skupina: A810 | | |
| |  | TP F 100 | 6 | 112904 |
| | | TP F 100/160 | 6 | 112905 |
| | Konzola AK F 100 | Skupina: A820 | | |
| |  | AK F 100-400 | 1 | 113068 |
| | | AK F 100-800 | 1 | 113069 |
| | | AK F 100-1200 | 1 | 113419 |
| | | AK F 100-E-600 | 1 | 113070 |
| | Konzola TKO F 100 | Skupina: A823 | | |
| |  | TKO F 100-400 | 1 | 113071 |
| | | TKO F 100-800 | 1 | 113072 |
| | | TKO F 100-1200 | 1 | 113421 |
| | Konzola TKO F 100/160 | Skupina: A823 | | |
| |  | TKO F 100/160-800 | 1 | 113097 |
| | | TKO F 100/160-1200 | 1 | 113420 |

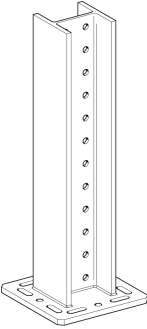
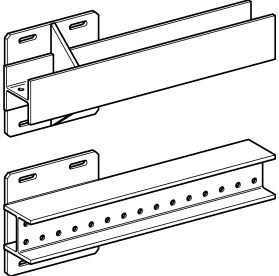
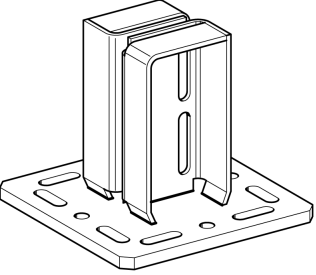
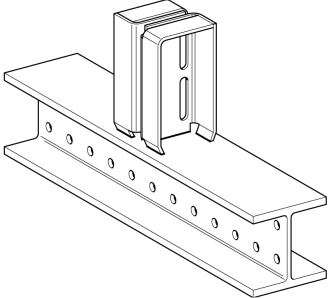
| Stran | Produkt | Artikel | Pakirano | Artikel-št. |
|-------|---|-------------------------------|----------|-------------|
| | Poševna konzola SKO F 100 | Skupina: A823 | | |
| |  | SKO F 100 | 1 | 113096 |
| | Držalo STA F 100 | Skupina: A822 | | |
| |  | STA F 100 (T – 4 luknje) | 1 | 113073 |
| | | STA F 100-E (L – 4 luknje) | 1 | 113074 |
| | | STA F 100-80 (T – 4 luknje) | 1 | 113337 |
| | | STA F 100-80-E (L – 4 luknje) | 1 | 112481 |
| | WBD-Držalo F 100 | Skupina: A821 | | |
| |  | WBD F 100-80/120 | 1 | 113075 |
| | | WBD F 100-121/160 | 1 | 113076 |
| | | WBD F 100-161/200 | 1 | 113077 |
| | | WBD F 100-201/300 | 1 | 113078 |
| | | WBD F 100-T | 1 | 113079 |
| | WBD-Držalo F 100/160 | Skupina: A821 | | |
| |  | WBD F 100/160-121/160 | 1 | 113098 |
| | | WBD F 100/160-160/200 | 1 | 113099 |
| | | WBD F 100/160-201/300 | 1 | 113100 |

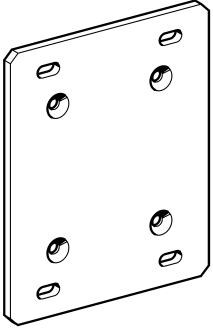
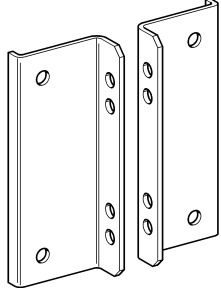
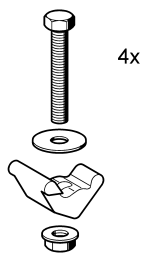
| Stran | Produkt | Artikel | Pakirano | Artikel-št. |
|-------|---|------------------------|----------|-------------|
| | Adapterska plošča AP | Skupina: A630 | | |
| |  | AP 121/160 | 1 | 183953 |
| | | AP 161/200 | 1 | 183962 |
| | | AP 201/300 | 1 | 183980 |
| | | AP 301/310 | 1 | 113129 |
| | Varilno držalo ASA F 100 GPL | Skupina: A828 | | |
| |  | ASA F 100 GPL 4 kt | 1 | 113339 |
| | | ASA F 100/160 GPL 4 kt | 1 | 113410 |
| | Varilno držalo ASA F 100 GPL | Skupina: A828 | | |
| |  | ASA F 100 GPL 8 kt | 1 | 113080 |
| | kotno držalo WD F 100 | Skupina: A430 | | |
| |  | WD F 100 140/140 | 1 | 113095 |

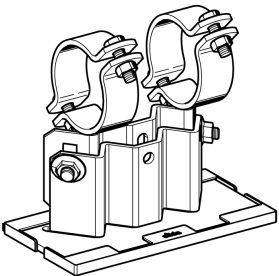
| Stran | Produkt | Artikel | Pakirano | Artikel-št. |
|-------|---|----------------------|----------|-------------|
| | Adapter za profil SA F 100 | Skupina: A827 | | |
| |  | SA F 100-41 | 1 | 113081 |
| | Samorezni vijak FLS F | Skupina: A430 | | |
| |  | FLS F | 100 | 192512 |
| | Set montažni PS | Skupina: A640 | | |
| |  | Set P2 S | 1 | 168494 |
| | | Set P3 S | 1 | 179147 |
| | | Set P2/2 S | 1 | 183800 |
| | Streme vpenjalno SB F 100 | Skupina: A839 | | |
| |  | SB F 100-16 | 20 | 113082 |
| | | SB F 100-40 | 10 | 113083 |
| | | SB F 100/160-40 | 10 | 113101 |

| Stran | Produkt | Artikel | Pakirano | Artikel-št. |
|-------|---|----------------------|----------|-------------|
| 2-2 | Nosilna konzola TKO 100 | Skupina: A625 | | |
| |  | TKO 100 x 250 | 1 | 193099 |
| | | TKO 100 x 350 | 1 | 185402 |
| | | TKO 100 x 400 | 1 | 185411 |
| | | TKO 100 x 450 | 1 | 185420 |
| | | TKO 100 x 500 | 1 | 185429 |
| | | TKO 100 x 550 | 1 | 185438 |
| | | TKO 100 x 600 | 1 | 185447 |
| | | TKO 100 x 650 | 1 | 185456 |
| | | TKO 100 x 700 | 1 | 185465 |
| | | TKO 100 x 750 | 1 | 185474 |
| | | TKO 100 x 800 | 1 | 185483 |
| | | TKO 100 x 850 | 1 | 185492 |
| | | TKO 100 x 900 | 1 | 185501 |
| | | TKO 100 x 950 | 1 | 185510 |
| | | TKO 100 x 1000 | 1 | 185519 |
| | | TKO 100 x 1100 | 1 | 185528 |
| | | TKO 100 x 1200 | 1 | 185537 |
| | TKO 100 x 1300 | 1 | 185546 | |
| | TKO 100 x 1400 | 1 | 185555 | |
| | TKO 100 x 1500 | 1 | 185564 | |
| | TKO 100 x 2000 | 1 | 185573 | |
| 2-3 | Prečna konzola QKO 100 | Skupina: A624 | | |
| |  | QKO 100 x 600 | 1 | 183917 |
| | | QKO 100 x 1000 | 1 | 183926 |
| | | QKO 100q x 600 | 1 | 183935 |
| | | QKO 100q x 1000 | 1 | 183944 |
| 2-4 | Poševna konzola SKO 100 | Skupina: A626 | | |
| |  | SKO 100-30 x 760 | 1 | 191531 |

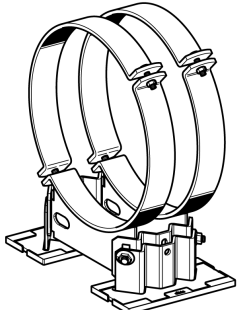
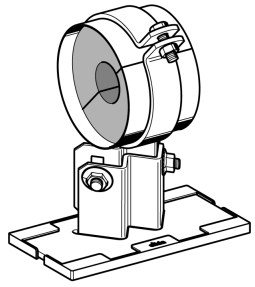
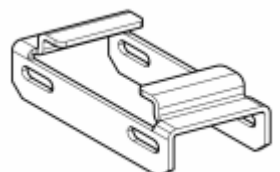
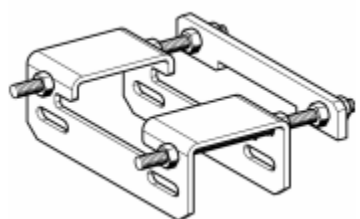
| Stran | Produkt | Artikel | Pakirano | Artikel-št. |
|-------|---|--|------------------|--------------------------------------|
| 2-5 | Čelni adapter STA 100 | Skupina: A630 STA 100 | 1 | 183971 |
| |  | | | |
| 2-6 | T-adapter TA 100 | Skupina: A630 TA 100 x 200 TA 100 x 400 TA 100 x 600 | 1 1 1 | 191081 191166 191099 |
| |  | | | |
| 2-7 | Adapterska plošča AP | Skupina: A630 AP 121/160 AP 161/200 AP 201/300 AP 301/310 | 1 1 1 1 | 183953 183962 183980 113129 |
| |  | | | |
| 2-8 | Fazonski spojnik FV 100/120 | Skupina: A630 FV 100/120 | 1 | 187616 |
| |  | | | |

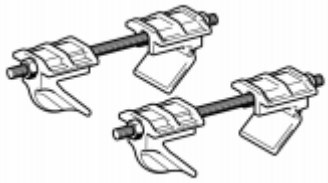
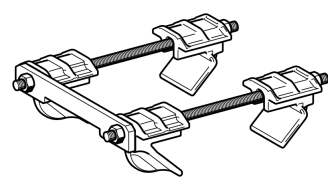
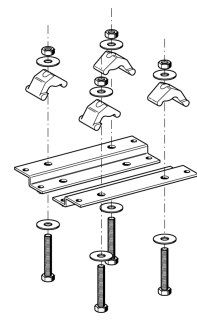
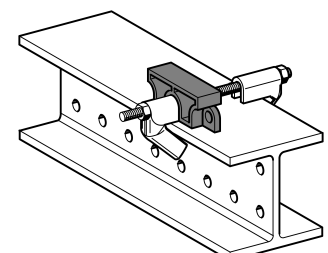
| Stran | Produkt | Artikel | Pakirano | Artikel-Nr. |
|-------|---|----------------------|----------|-------------|
| 3-2 | Nosilna konzola TKO 120  | Skupina: A620 | | |
| | | TKO 120 x 350 | 1 | 193150 |
| | | TKO 120 x 600 | 1 | 193167 |
| | | TKO 120 x 800 | 1 | 193174 |
| | | TKO 120 x 1000 | 1 | 193181 |
| | | TKO 120 x 1500 | 1 | 193198 |
| | | TKO 120 x 2000 | 1 | 193204 |
| | | TKO 120 x 3000 | 1 | 193105 |
| 3-3 | Prečna konzola QKO 120  | Skupina: A624 | | |
| | | QKO 120 x 600 | 1 | 193228 |
| | | QKO 120 x 1000 | 1 | 193235 |
| | | QKO 120q x 600 | 1 | 193242 |
| | | QKO 120q x 1000 | 1 | 193259 |
| 3-4 | Čelni adapter STA 120  | Skupina: A630 | | |
| | | STA 120 | 1 | 193211 |
| 3-5 | T-adapter TA 120  | Skupina: A630 | | |
| | | TA 120 x 200 | 1 | 193112 |
| | | TA 120 x 400 | 1 | 193129 |
| | | TA 120 x 600 | 1 | 193136 |

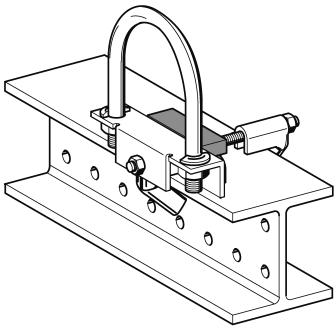
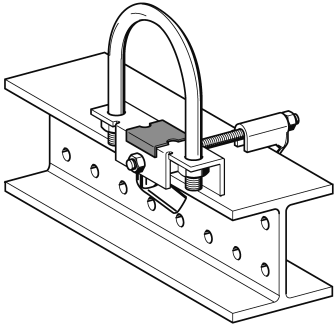
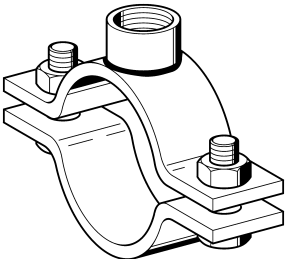


| Stran | Produkt | Artikel | Pakirano | Artikel-Nr. |
|-------|---|----------------------|----------|-------------|
| 3-6 | Adapterska plošča AP | Skupina: A630 | | |
| |  | AP 121/160 | 1 | 183953 |
| | | AP 161/200 | 1 | 183962 |
| | | AP 201/300 | 1 | 183980 |
| | | AP 301/310 | 1 | 113129 |
| 3-7 | Fazonski spojnik FV 100/120 | Skupina: A630 | | |
| |  | FV 100/120 | 1 | 187616 |
| | | | | |
| 3-8 | Set montažni PS | Skupina: A640 | | |
| |  | Set P2 S | 1 | 168494 |
| | | Set P3 S | 1 | 179147 |
| | | Set P2/2 S | 1 | 183800 |

| Stran | Produkt | Artikel | Pakirano | Artikel-št. |
|-------|---|--------------------------------|----------|-------------|
| 4-7 | Objemka Simotec LA - HV | Skupina: A731/A730/A732 | | |
| |  | LA - HV 90 DN 25 | 1 | 110035 |
| | | LA - HV 90 DN 32 | 1 | 110036 |
| | | LA - HV 90 DN 40 | 1 | 110037 |
| | | LA - HV 90 DN 50 | 1 | 110038 |
| | | LA - HV 90 DN 65 | 1 | 110039 |
| | | LA - HV 90 DN 80 | 1 | 110040 |
| | | LA - HV 90 DN 100 | 1 | 110041 |
| | | LA - HV 90 DN 125 | 1 | 110042 |
| | | LA - HV 90 DN 150 | 1 | 110043 |
| | | LA - HV 150 DN 25 | 1 | 110044 |
| | | LA - HV 150 DN 32 | 1 | 110045 |
| | | LA - HV 150 DN 40 | 1 | 110046 |
| | | LA - HV 150 DN 50 | 1 | 110047 |
| | | LA - HV 150 DN 65 | 1 | 110048 |
| | | LA - HV 150 DN 80 | 1 | 110049 |
| | | LA - HV 150 DN 100 | 1 | 110050 |
| | | LA - HV 150 DN 125 | 1 | 110051 |
| | | LA - HV 150 DN 150 | 1 | 110052 |
| | | LA - HV 200 DN 25 | 1 | 110053 |
| | | LA - HV 200 DN 32 | 1 | 110054 |
| | | LA - HV 200 DN 40 | 1 | 110055 |
| | | LA - HV 200 DN 50 | 1 | 110056 |
| | | LA - HV 200 DN 65 | 1 | 110057 |
| | | LA - HV 200 DN 80 | 1 | 110058 |
| | | LA - HV 200 DN 100 | 1 | 110059 |
| | | LA - HV 200 DN 125 | 1 | 110060 |
| | | LA - HV 200 DN 150 | 1 | 110061 |

| Stran | Produkt | Artikel | Pakirano | Artikel-št. |
|-------|--------------------------------|--------------------------------|----------|-------------|
| 4-9 | Objemka Simotec LC - HV | Skupina: A731/A730/A732 | | |
| | | LC - HV 90 DN 25 | 1 | 110062 |
| | | LC - HV 90 DN 32 | 1 | 110063 |
| | | LC - HV 90 DN 40 | 1 | 110064 |
| | | LC - HV 90 DN 50 | 1 | 110065 |
| | | LC - HV 90 DN 65 | 1 | 110066 |
| | | LC - HV 90 DN 80 | 1 | 110067 |
| | | LC - HV 90 DN 100 | 1 | 110068 |
| | | LC - HV 90 DN 125 | 1 | 110069 |
| | | LC - HV 90 DN 150 | 1 | 110070 |
| | | LC - HV 90 DN 200 | 1 | 110071 |
| | | LC - HV 90 DN 250 | 1 | 110072 |
| | | LC - HV 90 DN 300 | 1 | 110073 |
| | | LC - HV 150 DN 25 | 1 | 110074 |
| | | LC - HV 150 DN 32 | 1 | 110075 |
| | | LC - HV 150 DN 40 | 1 | 110076 |
| | | LC - HV 150 DN 50 | 1 | 110077 |
| | | LC - HV 150 DN 65 | 1 | 110078 |
| | | LC - HV 150 DN 80 | 1 | 110079 |
| | | LC - HV 150 DN 100 | 1 | 110080 |
| | | LC - HV 150 DN 125 | 1 | 110081 |
| | | LC - HV 150 DN 150 | 1 | 110082 |
| | | LC - HV 150 DN 200 | 1 | 110083 |
| | | LC - HV 150 DN 250 | 1 | 110084 |
| | | LC - HV 150 DN 300 | 1 | 110085 |
| | | LC - HV 200 DN 25 | 1 | 110086 |
| | | LC - HV 200 DN 32 | 1 | 110087 |
| | | LC - HV 200 DN 40 | 1 | 110088 |
| | | LC - HV 200 DN 50 | 1 | 110089 |
| | | LC - HV 200 DN 65 | 1 | 110090 |
| | | LC - HV 200 DN 80 | 1 | 110091 |
| | | LC - HV 200 DN 100 | 1 | 110092 |
| | | LC - HV 200 DN 125 | 1 | 110093 |
| | | LC - HV 200 DN 150 | 1 | 110094 |
| | LC - HV 200 DN 200 | 1 | 110095 | |
| | LC - HV 200 DN 250 | 1 | 110096 | |
| | LC - HV 200 DN 300 | 1 | 110097 | |

| Stran | Produkt | Artikel | Pakirano | Artikel-št. | | |
|--------------------|---|--------------------------------|--|----------------------|---|--------|
| 4-11 | Objemka Simotec LD - HV  | Skupina: A731/A730/A732 | | | | |
| | | LD - HV 90 DN 350 | 1 | 110098 | | |
| | | LD - HV 90 DN 400 | 1 | 110099 | | |
| | | LD - HV 90 DN 500 | 1 | 110100 | | |
| | | LD - HV 90 DN 600 | 1 | 110101 | | |
| | | LD - HV 150 DN 350 | 1 | 110102 | | |
| | | LD - HV 150 DN 400 | 1 | 110103 | | |
| | | LD - HV 150 DN 500 | 1 | 110104 | | |
| | | LD - HV 150 DN 600 | 1 | 110105 | | |
| | | LD - HV 200 DN 350 | 1 | 110106 | | |
| | | LD - HV 200 DN 400 | 1 | 110107 | | |
| | | LD - HV 200 DN 500 | 1 | 110108 | | |
| | | LD - HV 200 DN 600 | 1 | 110109 | | |
| | | 4-12 | Objemka Simotec LK - HV 150  | Skupina: A734 | | |
| | | | | LK - HV 150 DN 25 | 1 | 110110 |
| LK - HV 150 DN 32 | 1 | | | 110111 | | |
| LK - HV 150 DN 40 | 1 | | | 110112 | | |
| LK - HV 150 DN 50 | 1 | | | 110113 | | |
| LK - HV 150 DN 65 | 1 | | | 110114 | | |
| LK - HV 150 DN 80 | 1 | | | 110115 | | |
| Dvojna objemka | | | | | | |
| LK - HV 150 DN 100 | 1 | | | 110116 | | |
| LK - HV 150 DN 125 | 1 | | | 110117 | | |
| LK - HV 150 DN 150 | 1 | | | 110118 | | |
| LK - HV 150 DN 200 | 1 | | | 110119 | | |
| LK - HV 150 DN 250 | 1 | | | 110120 | | |
| LK - HV 150 DN 300 | 1 | | | 110121 | | |
| | Drсни set FW F  | | | Skupina: A705 | | |
| | | FW F 80 | 1 | 110349 | | |
| | | FW F 100 | 1 | 113088 | | |
| | Fiksni set XW F  | Skupina: A705 | | | | |
| | | XW F 80 | 1 | 110356 | | |
| | | XW F 100 | 1 | 113087 | | |

| Stran | Produkt | Artikel | Pakirano | Artikel-št. |
|-------|---|------------------------|----------|-------------|
| 4-13 | Drzni set FS | Skupina: A705 | | |
| |  | FS 80/120 | 1 | 110350 |
| | | FS 140/160 | 1 | 110351 |
| | | FS 180/220 | 1 | 110352 |
| | | FS 240/260 | 1 | 110353 |
| | | FS 280/300 | 1 | 112887 |
| 4-14 | Fiksni set XS | Skupina: A705 | | |
| |  | XS 80/120 | 1 | 110357 |
| | | XS 140/160 | 1 | 110358 |
| | | XS 180/220 | 1 | 110359 |
| | | XS 240/260 | 1 | 110360 |
| | | XS 280/300 | 1 | 110361 |
| 4-15 | Kavelj vpanjalni set FS Z | Skupina: A705 | | |
| |  | FS Z 80/120 | 1 | 110398 |
| 4-16 | Drni set LU - H 40 | Skupina: A710 | | |
| |  | LU - H 40 DN 25 - 150 | 1 | 164241 |
| | | LU - H 40 DN 200 - 300 | 1 | 164250 |

| Stran | Produkt | Artikel | Pakirano | Artikel-št. | | |
|-------|---|----------------------|--|----------------------|----|--------|
| 4-17 | Vodilno ležišče FR - H 40  | Skupina: A740 | | | | |
| | | FR - H 40 DN 25 | 1 | 164269 | | |
| | | FR - H 40 DN 32 | 1 | 167891 | | |
| | | FR - H 40 DN 40 | 1 | 164278 | | |
| | | FR - H 40 DN 50 | 1 | 164287 | | |
| | | FR - H 40 DN 65 | 1 | 167907 | | |
| | | FR - H 40 DN 80 | 1 | 164296 | | |
| | | FR - H 40 DN 100 | 1 | 164302 | | |
| | | FR - H 40 DN 125 | 1 | 164311 | | |
| | | FR - H 40 DN 150 | 1 | 164320 | | |
| | | FR - H 40 DN 200 | 1 | 164339 | | |
| | | FR - H 40 DN 250 | 1 | 164348 | | |
| | | FR - H 40 DN 300 | 1 | 164357 | | |
| 4-18 | Fisna točka XR - H 40  | Skupina: A770 | | | | |
| | | XR - H 40 DN 25 | 1 | 164366 | | |
| | | XR - H 40 DN 32 | 1 | 167916 | | |
| | | XR - H 40 DN 40 | 1 | 164375 | | |
| | | XR - H 40 DN 50 | 1 | 164384 | | |
| | | XR - H 40 DN 65 | 1 | 167925 | | |
| | | XR - H 40 DN 80 | 1 | 164393 | | |
| | | XR - H 40 DN 100 | 1 | 164409 | | |
| | | XR - H 40 DN 125 | 1 | 164418 | | |
| | | XR - H 40 DN 150 | 1 | 164427 | | |
| | | XR - H 40 DN 200 | 1 | 164436 | | |
| | | XR - H 40 DN 250 | 1 | 164445 | | |
| | | XR - H 40 DN 300 | 1 | 164454 | | |
| 4-19 | Objemka Stabil I-1/2" HCP  | Skupina: A022 | | | | |
| | | 21 | | 188147 | | |
| | | 27 | 25 | 188156 | | |
| | | 34 | 25 | 188165 | | |
| | | 43 | 25 | 188174 | | |
| | | 49 | 25 | 188183 | | |
| | | 61 | 25 | 188192 | | |
| | | 77 | 25 | 188201 | | |
| | | 89 | 25 | 188210 | | |
| | | 115 | 10 | 188219 | | |
| | | | Trak iz steklenih vlaken GSK  | Skupina: 1291 | | |
| | | | | 25x2 | 10 | 193037 |
| | | | | 30x2 | 10 | 193044 |
| 40x2 | 10 | | | 193051 | | |
| 50x2 | 10 | | | 193068 | | |
| 60x2 | 10 | | | 193075 | | |
| 70x2 | 10 | | | 193082 | | |
| | Profilna guma SAL EPDM sk  | Skupina: 1294 | | | | |
| | | 30x1 | 20 | 188075 | | |
| | | 40x1 | 20 | 188084 | | |
| | | 50x1 | 20 | 188093 | | |
| | | 60x1 | 20 | 188102 | | |
| | | 70x1 | 20 | 188111 | | |

ZERTIFIKAT ◆ CERTIFICATE ◆ 認證證書 ◆ CERTIFICADO ◆ CERTIFICAT

M300-TGA-0710



Management Service

ZERTIFIKAT

Die Zertifizierungsstelle
der TÜV SÜD Management Service GmbH
bescheinigt, dass das Unternehmen

Sikla GmbH
In der Lache 17
D-78056 Villingen-Schwenningen

für den Geltungsbereich

Entwicklung, Herstellung und Vertrieb von
Systemen zur Befestigung und Verbindung von
Rohren sowie zur Dachentwässerung in der technischen
Gebäudeausrüstung und im Anlagenbau

einschließlich der
Standorte und Geltungsbereiche
gemäß Anlage

ein Qualitätsmanagementsystem
eingeführt hat und anwendet.

Durch ein Audit, Bericht-Nr. **70019146**
wurde der Nachweis erbracht, dass die Forderungen der

ISO 9001:2008

erfüllt sind. Dieses Zertifikat ist gültig bis **2015-07-12**

Zertifikat-Registrier-Nr. **12 100 3158 TMS**

München, 2012-07-18

Seite 1 von 2



QMS-TGA-ZM-07-92

ZERTIFIKAT ♦ CERTIFICATE ♦ 認證證書 ♦ СЕРТИФИКАТ ♦ CERTIFICADO ♦ CERTIFICAT



Management Service

ZERTIFIKAT

Die Zertifizierungsstelle
der TÜV SÜD Management Service GmbH
bescheinigt, dass das Unternehmen

Sikla GmbH
In der Lache 17
D-78056 Villingen-Schwenningen

für den Geltungsbereich

**Entwicklung, Herstellung und Vertrieb von
Systemen zur Befestigung und Verbindung von
Rohren sowie zur Dachentwässerung in der technischen
Gebäudeausrüstung und im Anlagenbau**

**einschließlich der
Standorte und Geltungsbereiche
gemäß Anlage**

ein Qualitätsmanagementsystem
eingeführt hat und anwendet.

Durch ein Audit, Bericht-Nr. **70019146**
wurde der Nachweis erbracht, dass die Forderungen der

ISO 9001:2008

erfüllt sind. Dieses Zertifikat ist gültig bis **2015-07-12**

Zertifikat-Registrier-Nr. **12 100 3158 TMS**

München, 2012-07-18

Seite 1 von 2



QMS-TGA-ZM-07-92

1. Splošno: Sledeči pogoji so edini merodajni pogoji za celotno poslovanje, tudi takrat, kadar je naročnik uradno določil drugačne pogoje. Veljajo za sprejete s strani kupca, v kolikor kupec pri naročilu ni ugovarjal. Telefonska ali ustna dopolnila oz. spremembe potrebujejo za veljavnost naše pisno potrditev. Vsi dosedanji prodajni pogoji so s tem neveljavni.

2. Naše ponudbe so, če ni drugačnega dogovora, neobvezne. Za slike in risbe v naših katalogih, kakor tudi pri naših vzorcih si pridržujemo lastniško in avtorsko pravico. Brez našega dovoljenja ne smejo biti dostopne tretjim osebam in jih je potrebno na zahtevo nemudoma vrniti.

Mere in tehnični podatki:

Vse navedena mere in tehnični podatki imajo približne vrednosti. Za upoštevanje ne prevzemamo nobene odgovornosti. Pridržujemo si pravico do sprememb.

3. Cene v EUR veljajo franko podjetje oz. Podružnica brez embalaže in z dodanim DDV. Obračunajo se cene, veljavne na dan dobave. Pridržujemo si pravico do spremembe cen.

4. Dobava: Navedeni dobavni roki pričnejo veljati z dnem potrditve naročila in so neobvezujoči. Reklamacije, ki so nastale zaradi zavlačevanja dobavnih rokov, ki so nastali zaradi motenj v podjetju, nepredvidenih težav pri dobavi surovin in obratnih sredstev oz. Zaradi višje sile, se ne priznajo. Izključuje se možnost odstopa od dobave. Delne dobave so dopustne na stroške naročnika. Pri napisnih tablah za gradbišča in samolepilnih folijah lahko pride do preseganja naročne količine za 10 %, ker gre za izdelavo po posebnem naročilu, mora naročnik prevzeti in plačati presežek.

5. Sukcesivne dobave, v kolikor to ni v potrdilu naročila drugače določeno, morajo biti prevzete v roku štirih mesecev po zaključku naročila, ne da bi z naše strani prišla zahteva za prevzem. V kolikor je ta rok prekoračen, si pridržujemo pravico blago zaračunati, ali stornirati naročilo.

6. Odprema se vedno izvrši na račun in riziko naročnika. Kadar se ne navedejo odpremi pogoji, se vedno izbere najugodnejša transportna pot, brez odgovornosti za najcenejše pošiljanje ali dostetje blaga v dobrem stanju. Razlika je le pri odpremi blaga v vrednosti najmanj EUR 370,-- , kjer velja pariteta fco sprejemna postaja.

7. Embalaža se zaračuna po lastni nabavni ceni. Vsa uporabljena embalažna sredstva, kot so lepenka, zaboji za enkratno uporabo iz vezanih plošč ali običajni leseni zaboji so nepovratna.

8. Plačilo: Naši računi so plačljivi v roku 30 dni od dneva izstavitve računa neto (ne po datumu prejema računa ali blaga). Pri plačilu v roku 10 dni od dneva izstavitve računa priznamo 3 % skonto na vrednost računa, pod pogojem, da so vse zapadle fakture poravnane. Plačilni rok je izpolnjen, če je nakazilo ali s čekom plačan znesek v roku knjižen v dobro na enem naših bančnih

računov. Menic, kot plačilnega sredstva, ne sprejemamo. Pri mednarodnih plačilih grede bančni stroški za izvršitev nakazila doma na naš račun in stroški v tujini na račun zavezanca za plačilo. Večkratni skonto odbitki oz. skonto odbitki po roku plačila, kot tudi zmanjšanje stroškov pošiljanja in embalaže, se ne priznavajo. Pri zamudi rokov plačil se zaračunavajo običajne bančne zamudne obresti. V kolikor zapadli računi kljub opominu niso poravnani, zapadejo v plačilo vsi odprti računi. Razen tega si pridržujemo pravico do popolne ali delne ukinitve količinskega popusta. Nepoznanim kupcem lahko v začetku dobavljamo blago le proti plačilu v gotovini, po povzetju ali predplačilu s 3 % skantom. Smatra se za dogovorjeno, da nosi stroške pri zamudi plačila ali izvensodne inkaso stroške in stroške opominov s strani odvetnika, naročnik blaga.

9. Zgoraj omenjeni dobavni in plačilni pogoji veljajo v primeru vašega naročila, kot sporazumno dogovorjeni, tudi če so vaši pogoji ob naročilu drugačni. Razveljavijo se lahko delno ali v celoti le, če se pisмено sporazumemo drugače.